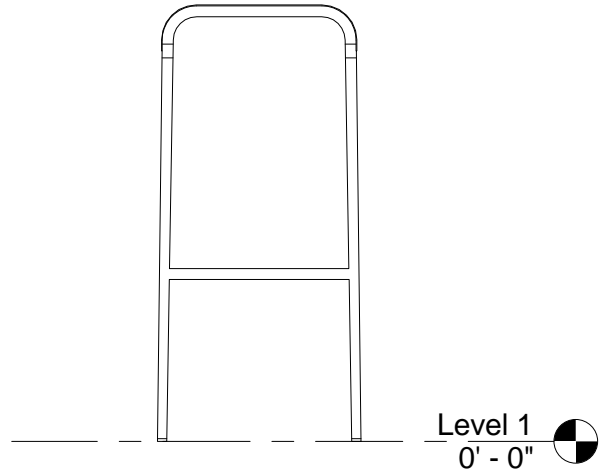
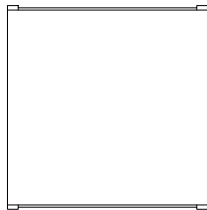


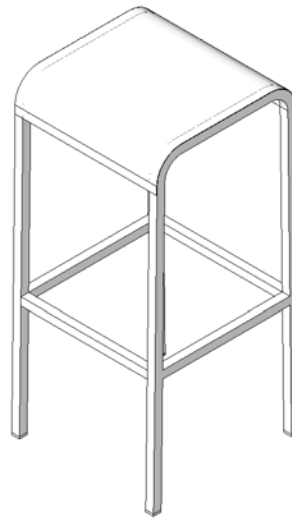
① Front View  
1" = 1'-0"



② Side View  
1" = 1'-0"



③ Plan View  
1" = 1'-0"



④ 3D View

Autodesk® Revit®

[www.autodesk.com/revit](http://www.autodesk.com/revit)

Emeco  
EMC Revit  
Families

20-06 Chair 2006-30

Project number	C130248
Date	131101
Drawn by	Contino
Checked by	Contino

A157

Scale 1" = 1'-0"