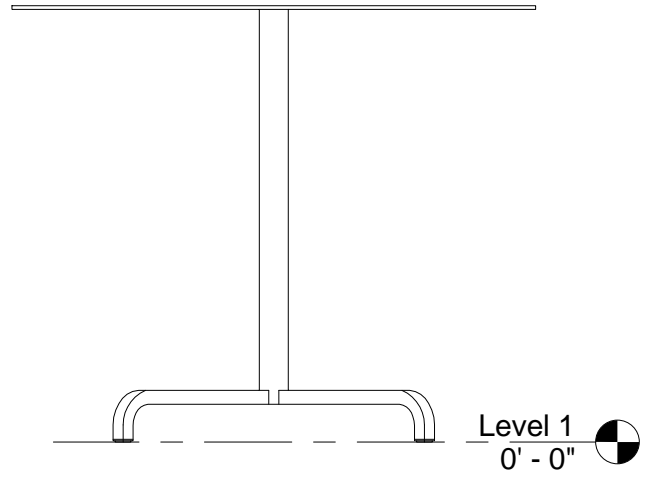
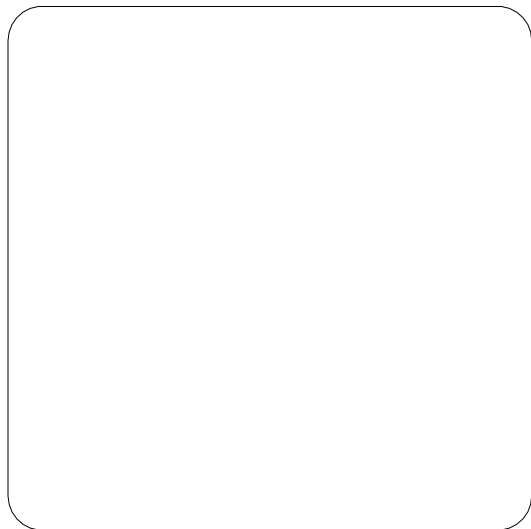


① Front View
1" = 1'-0"



② Side View
1" = 1'-0"



③ Plan View
1" = 1'-0"



④ 3D View

Autodesk Revit®

www.autodesk.com/revit

Emeco
EMC Revit
Families

20-06 Table 2006CTSQ-36

Project number C130248

Date 131101

Drawn by Contino

Checked by Contino

A158

Scale 1" = 1'-0"