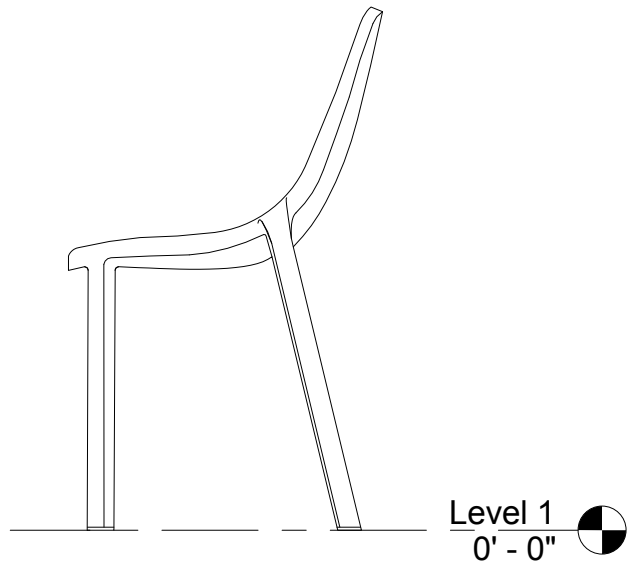
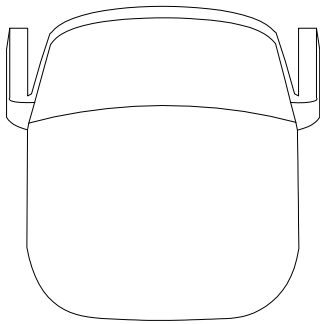


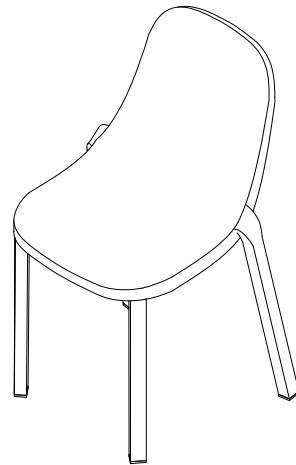
1 Front View
1" = 1'-0"



2 Side View
1" = 1'-0"



3 Plan View
1" = 1'-0"



4 3D View



Emeco
EMC Revit
Families

Broom_Chair_BRM

Project number	CG160783
Date	160725
Drawn by	CG
Checked by	CG

A100

Scale 1" = 1'-0"