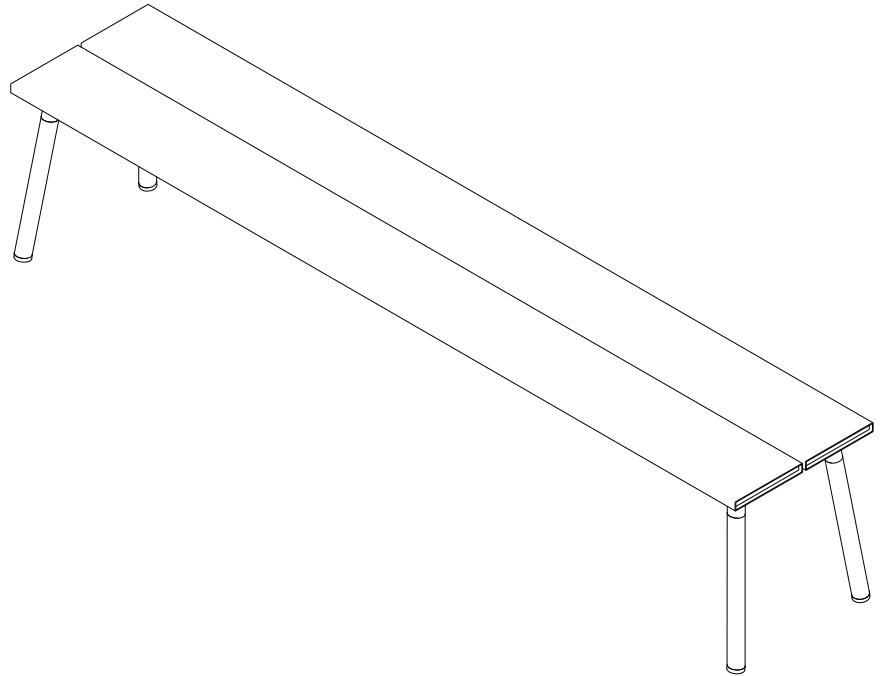
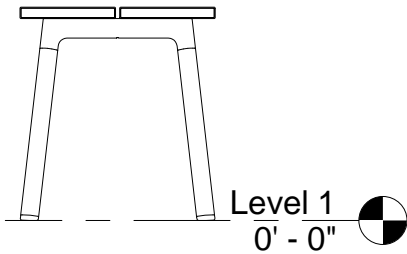


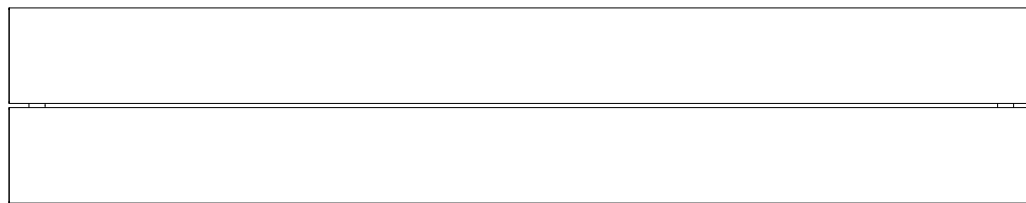
1 Front View  
3/4" = 1'-0"



4 3D View



2 Side View  
3/4" = 1'-0"



3 Plan View  
3/4" = 1'-0"

**corbisglobal**  
corbisstudio lightbox kitelabs

Emeco  
EMC Revit  
Families

**RUN 4 SEAT  
BENCH-RB4SB**

Project number	CG160783
Date	160527
Drawn by	Contino
Checked by	Contino

**A100**

Scale 3/4" = 1'-0"