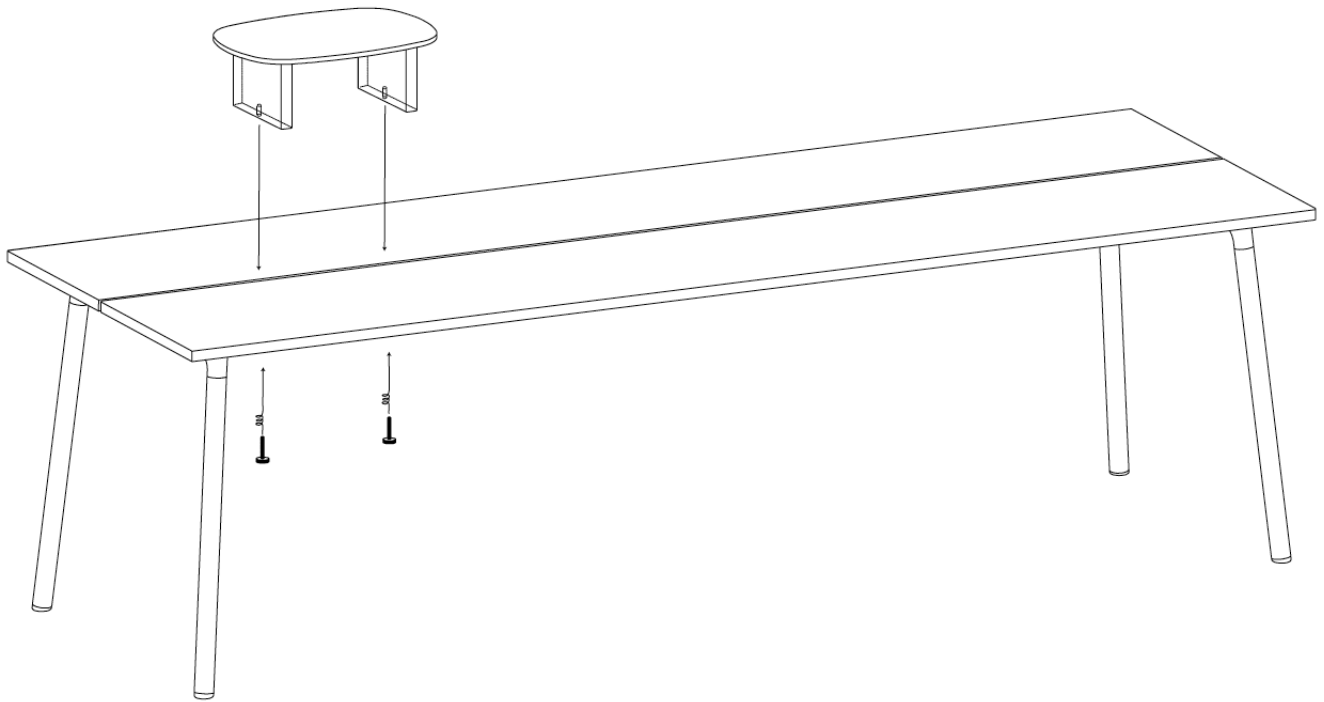


ASSEMBLY OF RUN ACCESSORIES



Please [contact us](#) if you have any questions regarding assembly or disassembly of our products. Our Customer Service team will be happy to assist personally.