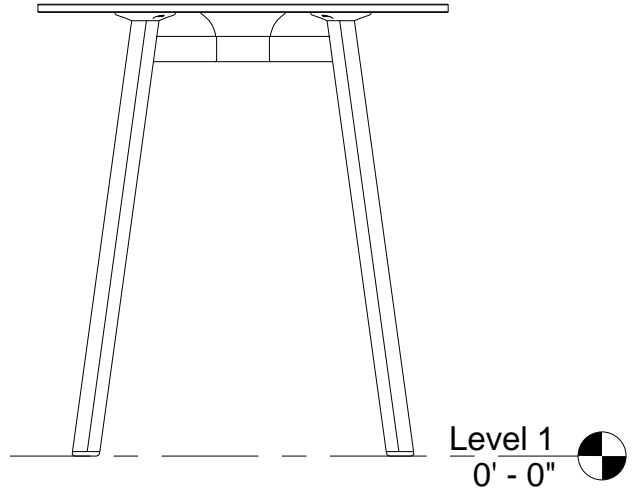
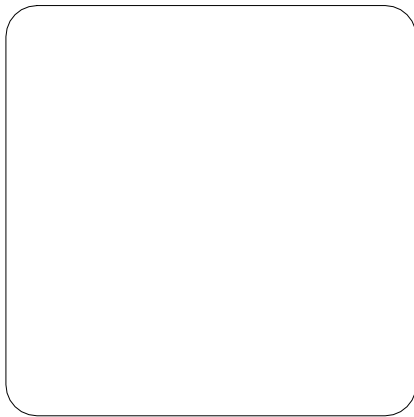


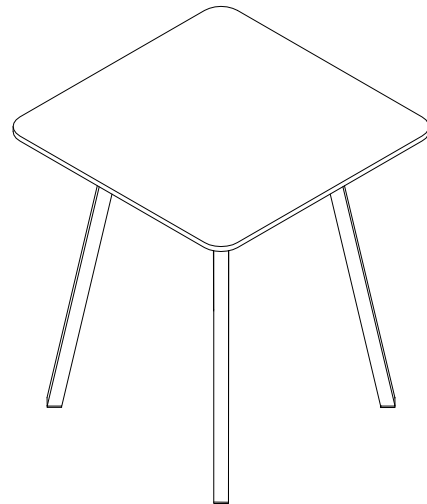
1 Front View
1" = 1'-0"



2 Side View
1" = 1'-0"



3 Plan View
1" = 1'-0"



4 3D View



Emeco
EMC Revit
Families

SU TABLE - T26

Project number	CG160783
Date	160613
Drawn by	Contino
Checked by	Contino

A100

Scale 1" = 1'-0"